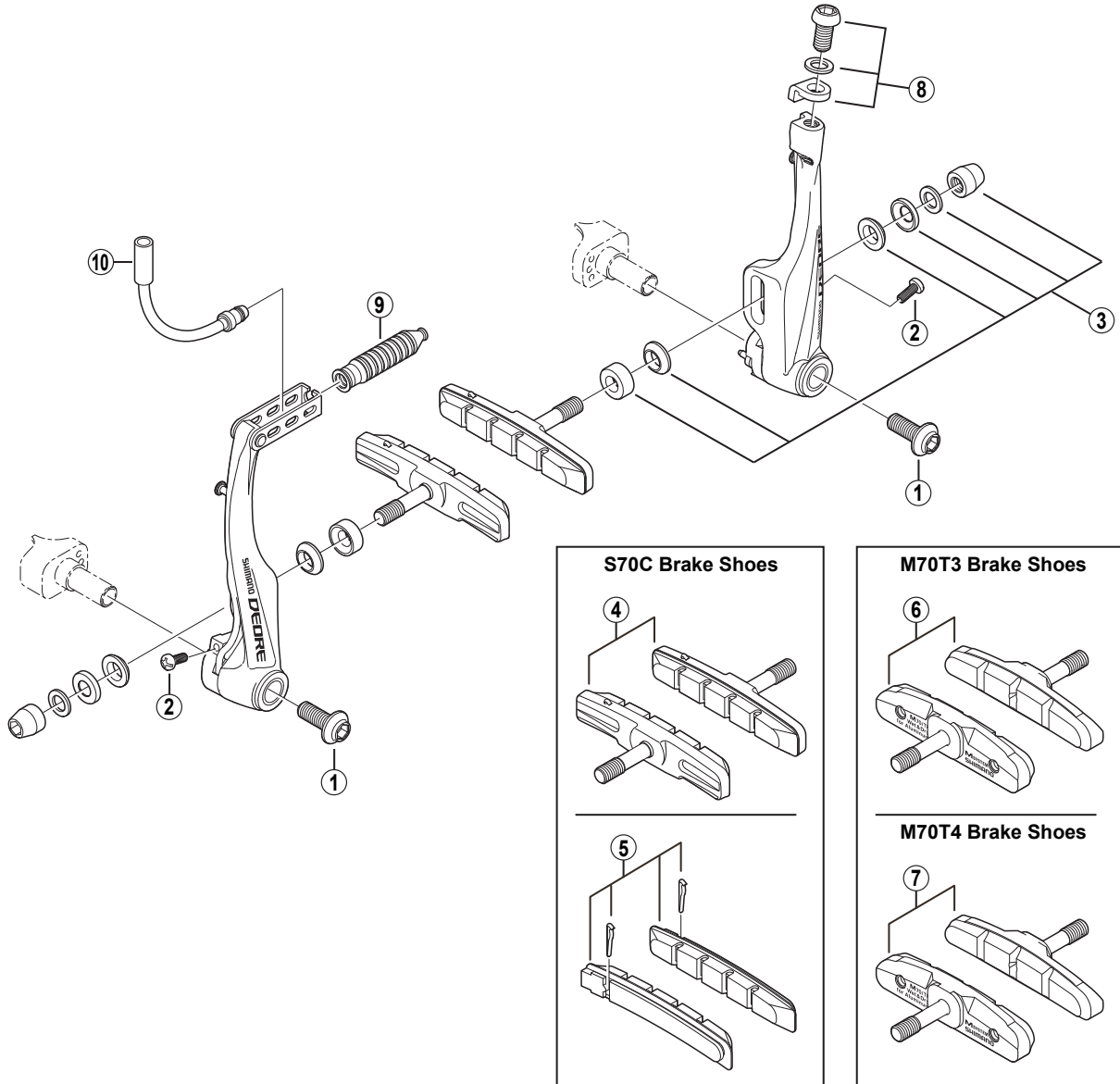


DEORE V-BRAKE Brake

BR-M590-S Silver Version
BR-M590-L Black Version



BR-M770
BR-T660

ITEM NO.	SHIMANO CODE NO.	DESCRIPTION	INTERCHANGEABILITY	
1	Y-8EM 07100	Link Fixing Bolt (M6 x 16)	B	B
	Y-8EM 07110	Link Fixing Bolt (M6 x 25)	B	B
2	Y-8GV 05000	Spring Tension Adjustment Screw (M3x 8)	A	A
3	Y-8DA 98020	Shoe Fixing Nut Unit	B	B
4	Y-8FM 98010	S70C Cartridge-Type Brake Shoe Set (pairs)	A	A
5	Y-8AA 98130	S70C Cartridge-Type Brake Shoes & Fixing Pins (pairs)	A	A
6	Y-8BM 9810A	M70T3 Brake Shoe Set (pairs)		A
7	Y-8BM 9803A	M70T4 Brake Shoe Set (pairs)		A
8	Y-8GP 98020	Cable Fixing Bolt (M6 x 11.5) Unit	B	A
9	Y-8FM 05000	Boot	B	A
	Y-8AA 98070	Inner Cable Lead Unit (90° : Middle)	A	A
	Y-8AA 98080	Inner Cable Lead Unit (135° : Long)	A	A
10	Y-8AA 98120	Inner Cable Lead Unit (45° : Short)	A	A

A: Same parts.
 B: Parts are usable, but differ in materials, appearance, finish, size, etc.
 Absence of mark indicates non-interchangeability.

0903-2922

Specifications are subject to change without notice.

SHIMANO