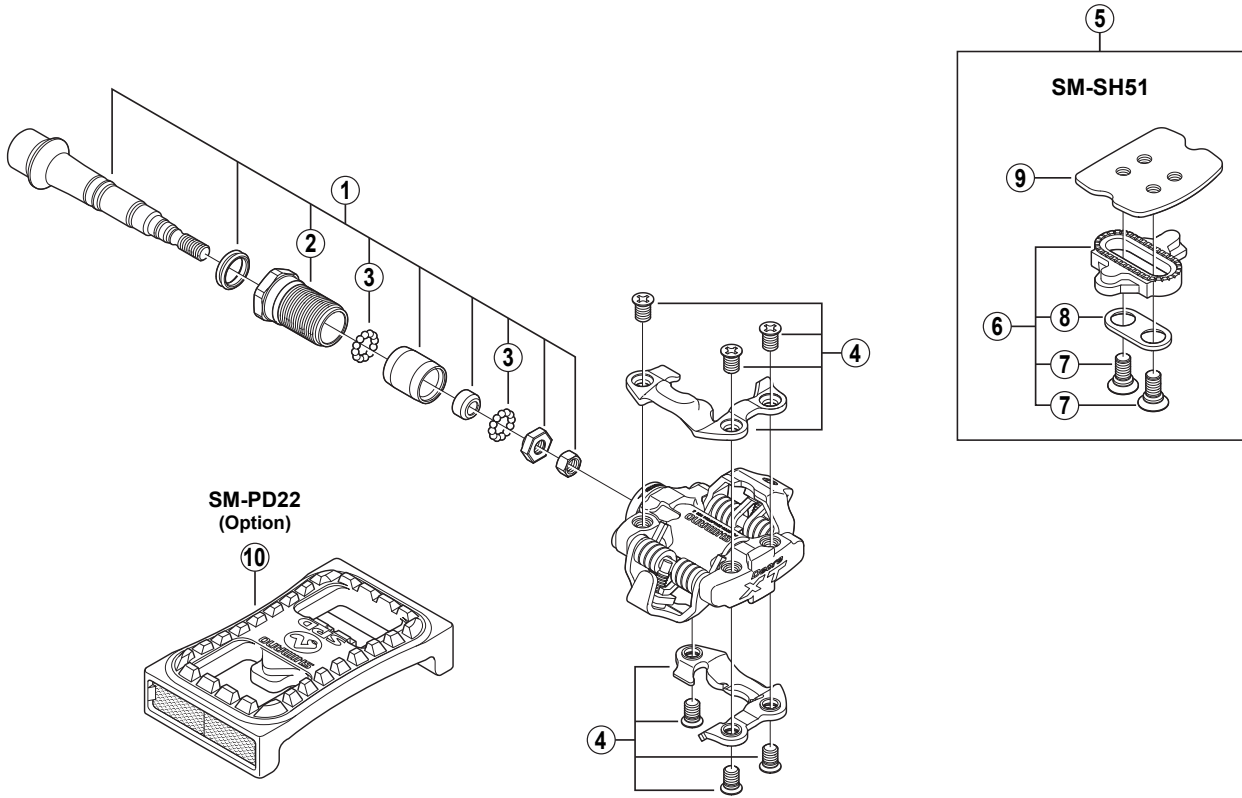


# DEORE XT SPD Pedals PD-M770



PD-M970  
PD-M959  
PD-M540

ITEM NO.	SHIMANO CODE NO.	DESCRIPTION	INTERCHANGEABILITY		
			PD-M970	PD-M959	PD-M540
1	Y-45U 98010	Pedal Axle Assembly (Right / B.C.9/16" x 20T.P.I.)	B	B	B
	Y-45U 98020	Pedal Axle Assembly (Left / B.C.9/16" x 20T.P.I.)	B	B	B
2	Y-45E 98030	Lock Bolt (Right)	A	B	B
	Y-45E 98040	Lock Bolt (Left)	A	B	B
3	Y-41N 98030	Steel Ball (3/32") 62 pcs.	A	A	A
4	Y-45D 98010	Body Cover (Right) & Fixing Bolts	B	B	A
	Y-45D 98020	Body Cover (Left) & Fixing Bolts	B	B	A
5	Y-424 98200	SM-SH51 Cleat Set (Single Release Mode / Pair)	A	A	A
6	Y-424 98201	SM-SH51 Cleat Set w/o Cleat Nut (Single Release Mode / Pair)	A	A	A
7	Y-417 04030	Cleat Fixing Bolt (1 pc.)	A	A	A
8	Y-424 23000	Cleat Adapter (1 pc.)	A	A	A
9	Y-40N 01000	Cleat Nut (1 pc.)	A	A	A
10	Y-41R 98070	SM-PD22 Reflector Unit (Pair)	A	A	A
	Y-45C 98040	SM-PD22 Reflector Unit (AS/Pair)	A	A	A

A: Same parts.  
B: Parts are usable, but differ in materials, appearance, finish, size, etc.  
Absence of mark indicates non-interchangeability.

0707-2704

Specifications are subject to change without notice.

# SHIMANO