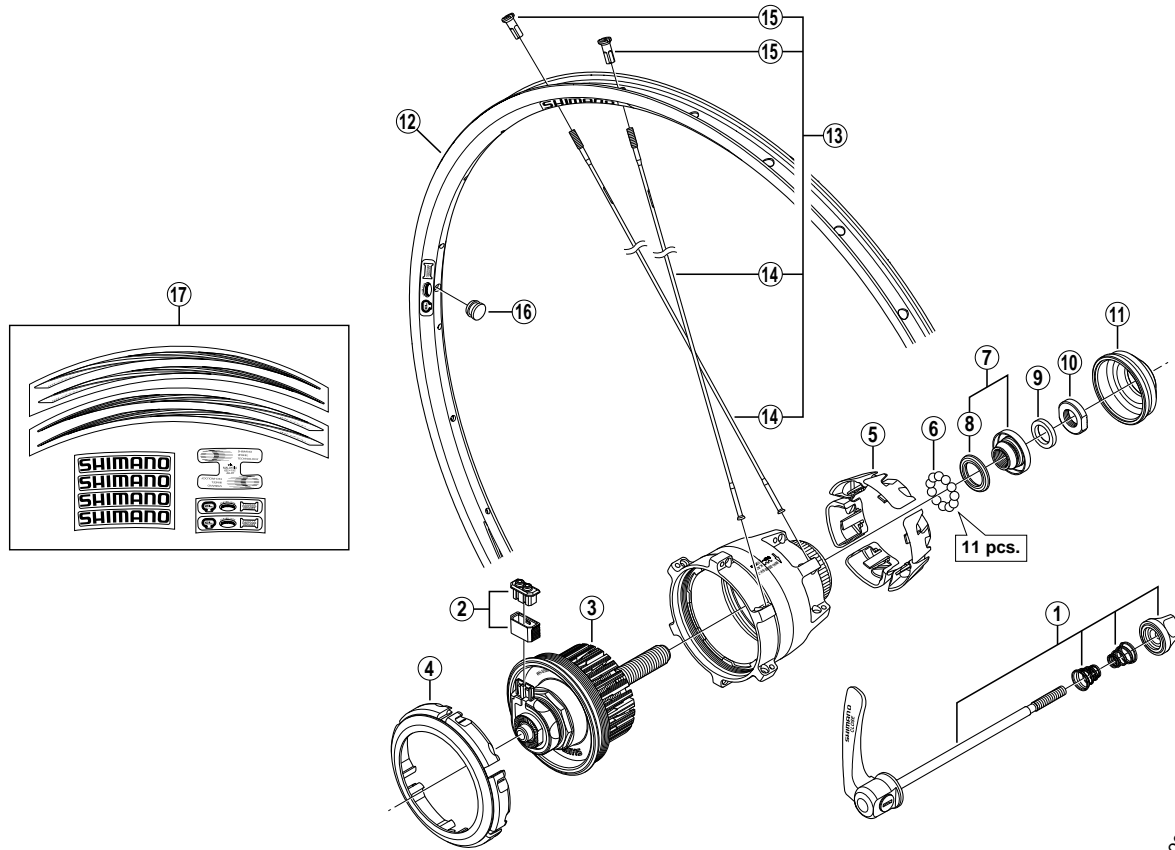


Front Wheel WH-S500-V-3D 6V-3W



WH-S500-V-F
WH-S500-3D
DH-S500

ITEM NO.	SHIMANO CODE NO.	DESCRIPTION	INTERCHANGEABILITY
1	Y-2TB 98010	Complete Quick Release 133 mm (5-1/4") / Silver	A A B
	Y-4D2 98060	Complete Quick Release 133 mm (5-1/4") / Black	A A
2	Y-2SS 98030	Connector Cap & Cover	A A
3	Y-4D2 98020	Internal Assembly (Silver Coating / Axle Length 108 mm)	A
	Y-4D2 98070	Internal Assembly (Black Coating / Axle Length 108 mm)	A
4	Y-4D2 10000	Right Hand Flange Cap (Silver)	A
	Y-4D2 10010	Right Hand Flange Cap (Black)	A
5	Y-4D2 98030	Left Hand Flange Cap (Silver / 6 pcs.)	A
	Y-4D2 98080	Left Hand Flange Cap (Black / 6 pcs.)	A
6	Y-000 91210	Steel Ball (3/16") 20 pcs.	A A
7	Y-20E 98030	Cone (M11 x 12.8 mm) w/Dust Cap & Seal Ring	A A
8	Y-377 10000	Seal Ring	A A
9	Y-20R 02100	Left Hand Spacer (3 mm)	A A
	Y-20R 02000	Left Hand Spacer (2.8 mm)	A A
	Y-20R 02200	Left Hand Spacer (2.3 mm)	A A
10	Y-3BT 04200	Serrated Lock Nut (M11 x 4 mm)	A A
11	Y-25Y 06000	Rotor Mount Cover	A
12	E-WHRIM1MDGCV	Rim {24H / Gray}	A
	E-WHRIM1MDBC	Rim {24H / Black}	A
13	E-WHSPOKE1NA2	Spoke Unit (Spoke (294 mm x 24 pcs.) / Nipple (24 pcs.))	
14	Y-012 AE94C	Spoke (294 mm)	
15	Y-012 Y3352	Nipple	A A
16	Y-4BU04000	Valve Stem Adapter	A A
17	Y-4EM98040	Rim Sticker Unit for Gray Rim	A
	Y-4EM98050	Rim Sticker Unit for Black Rim	A

A: Same parts.

B: Parts are usable, but differ in materials, appearance, finish, size, etc.

Absence of mark indicates non-interchangeability.

0708-2670

Specifications are subject to change without notice.

SHIMANO