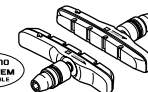













Cartridge-Type Brake Shoes for MTB

Always use Shimano brake pads to assure top performance for your Shimano brake system.

<p>① M70R2</p>  <p>SHIMANO M-SYSTEM COMPATIBLE</p>	<p>② M70R2</p>  <p>SHIMANO M-SYSTEM COMPATIBLE</p>	<p>③ For Ceramic Rim</p> 	<p>④ M70R2</p>  <p>SHIMANO M-SYSTEM COMPATIBLE</p>	<p>⑧ M70R2 (Severe Condition) For Ceramic Rim</p> 			
<p>For V-BRAKE Brake</p> <p>Fits: BR-M970 BR-M960 BR-M951 BR-M950 BR-M770 BR-M739 BR-M510</p>		<p>For V-BRAKE Brake</p> <p>Fits: BR-M960 BR-M951 BR-M950 BR-M739 BR-M510</p>		<p>For V-BRAKE Brake</p> <p>Fits: BR-M960 BR-M951 BR-M950 BR-M750 BR-M739</p>		<p>For V-BRAKE Brake</p> <p>Fits: BR-M960 BR-M951 BR-M950 BR-M770 BR-M760 BR-M750 BR-M739 BR-M510 BR-M431 BR-M430</p>	
<p>⑤ S70C</p> 	<p>⑥ S70C</p> 	<p>⑦ M70R2 S70C</p> 		<p>⑨ S70C</p> 			
<p>For V-BRAKE Brake</p> <p>Fits: BR-M760 BR-M580</p>		<p>For V-BRAKE Brake</p> <p>Fits: BR-M770 BR-M750 BR-M739 BR-M510 BR-T660</p>		<p>For V-BRAKE Brake</p> <p>Fits: BR-M431 BR-M430 BR-M432</p>		<p>For V-BRAKE Brake</p> <p>Fits: BR-M960 BR-M770 BR-M760 BR-M750 BR-M739 BR-M580 BR-M510 BR-M431 BR-M430</p>	

<p>⑩ M70R</p>  <p>SHIMANO M-SYSTEM COMPATIBLE</p>	<p>⑪ M70R M70R for Ceramic Rim</p>  <p>SHIMANO M-SYSTEM COMPATIBLE</p>		
<p>Fits: BR-M900-C BR-M900 BR-M737 BR-M565-E</p>		<p>Fits: BR-M900-C BR-M900 BR-M737 BR-M565-E</p>	

<p>⑫ M65T</p>  <p>SHIMANO M-SYSTEM COMPATIBLE</p>
<p>Fits: BR-M565 BR-M565-E BR-MC33 BR-MC33-E</p>

■ Brake shoe characteristics


	Cartridge shoe	M SYSTEM	Length	Threaded shoe post	Brake shoe characteristics
M70R2	○	○	70 mm	○	A race shoe that performs well in dry and wet conditions, and is also highly resistant to wear may give off noise.
M70R2 (Severe Condition)	○	○	70 mm	○	Shoe thickness is 1 mm thicker than M70R2.
Ceramic	○	—	70 mm	○	Specific shoe for ceramic rims.
M70CT4 (Severe Condition)	○	○	70 mm	○	Cartridge shoe with M70T4
S70C	○	—	70 mm	○	Performs well in dry conditions and tends to be low noise. Wears in muddy conditions.
M70R	○	○	70 mm	—	A race shoe that performs well in dry and wet conditions.
M65T	○	○	60 mm	—	Performs especially well in wet conditions and may pass DIN standards. Faster rim wear and tends to fade.

Brake Shoes for MTB

①

M70T3
M70T4

SHIMANO
M^SSYSTEM
COMPATIBLE




For V-BRAKE Brake

Fits: BR-M760 BR-M750 BR-M739
BR-M580 BR-M600 BR-M600-MX
BR-M570 BR-M530 BR-M510
BR-MC18 BR-M330 BR-M420
BR-T300 BR-MX70

②

S70T




For V-BRAKE Brake

Fits: BR-M570 BR-M600 BR-M530
BR-M510 BR-MC18 BR-T300

③

M70W

SHIMANO
M^SSYSTEM
COMPATIBLE




For V-BRAKE Brake

Fits: BR-C900 BR-C600 BR-M951
BR-M750 BR-M739 BR-M600-MX
BR-M600 BR-M570 BR-M510
BR-MC18 BR-M330 BR-M420
BR-T300

④

M70T2


SHIMANO
M^SSYSTEM
COMPATIBLE



Fits: BR-MC16
BR-T400 BR-MC40 BR-M280

⑤

S65T




For V-BRAKE Brake

Fits: BR-M330 BR-M421 BR-M420

⑥


M55T

SHIMANO
M^SSYSTEM
COMPATIBLE



Fits: BR-M290 BR-M290-E BR-CT91
BR-CT90 BR-CT90-E BR-CT50
BR-CT51 BR-CT20 BR-CT21
BR-TY22 BR-TY23 BR-TY20
BR-TY21 BR-MJ05-E BR-MJ05
BR-MJ10

⑦




Fits: BR-CT91 BR-CT90-E BR-CT90
BR-CT50 BR-CT51 BR-CT20
BR-CT21 BR-TY22 BR-TY23
BR-TY20 BR-TY21 BR-MJ05-E
BR-MJ05 BR-MJ10

⑧

M65T

SHIMANO
M^SSYSTEM
COMPATIBLE



Fits: BR-M560 BR-M561 BR-MC32-E
BR-MC32 BR-MC30-CH BR-MC30
BR-MC31-CH BR-MC31 BR-MC12
BR-MC12-E BR-MC10 BR-MC11
BR-MC15 BR-M290 BR-M290-E
BR-CT50 BR-CT51 BR-TY22
BR-TY23

■ Brake shoe characteristics

	Cartridge shoe	M SYSTEM	Length	Threaded shoe post	Brake shoe characteristics
M70T3	—	○	70 mm	○	Performs especially well in wet conditions and may pass DIN standards. Gives off less noise, but the pad is heavier, faster rim wear and tends to fade.
M70T4	—	○	70 mm	○	Only for side wall machined rims. Performs especially well in wet conditions and may pass DIN standard. Tend to be low noise, low rim wear and fade.
M70W	—	○	70 mm	○	
S70T	—	—	70 mm	○	Performs well in dry conditions and tends to be low noise.
S65T	—	—	60 mm	○	Wears in muddy conditions.
M70T2	—	○	70 mm	—	Performs especially well in wet conditions and may pass DIN standards. Gives off less noise, but the pad is heavier, faster rim wear and tends to fade.
M65T	—	○	60 mm	—	Performs especially well in wet conditions and may pass DIN standards. Faster rim wear and tends to fade.
M55T	—	○	55 mm	—	